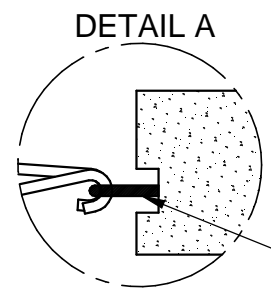
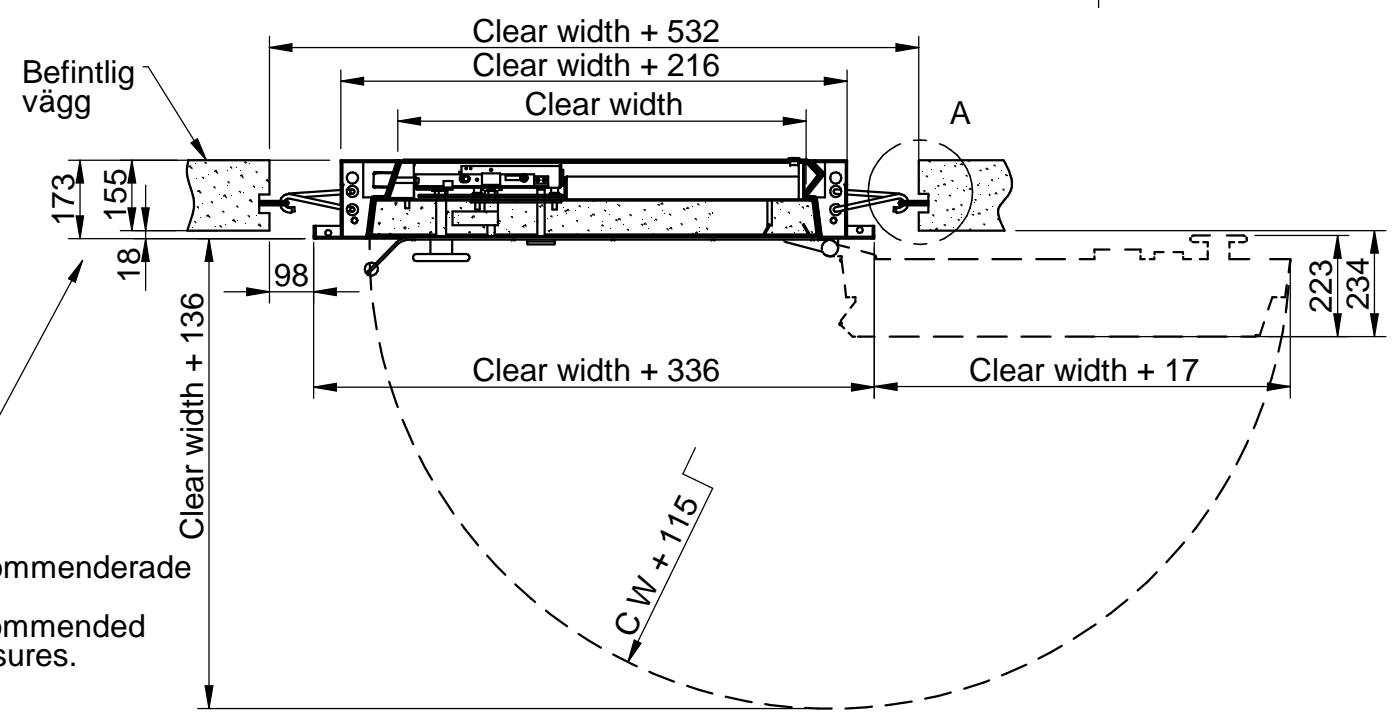
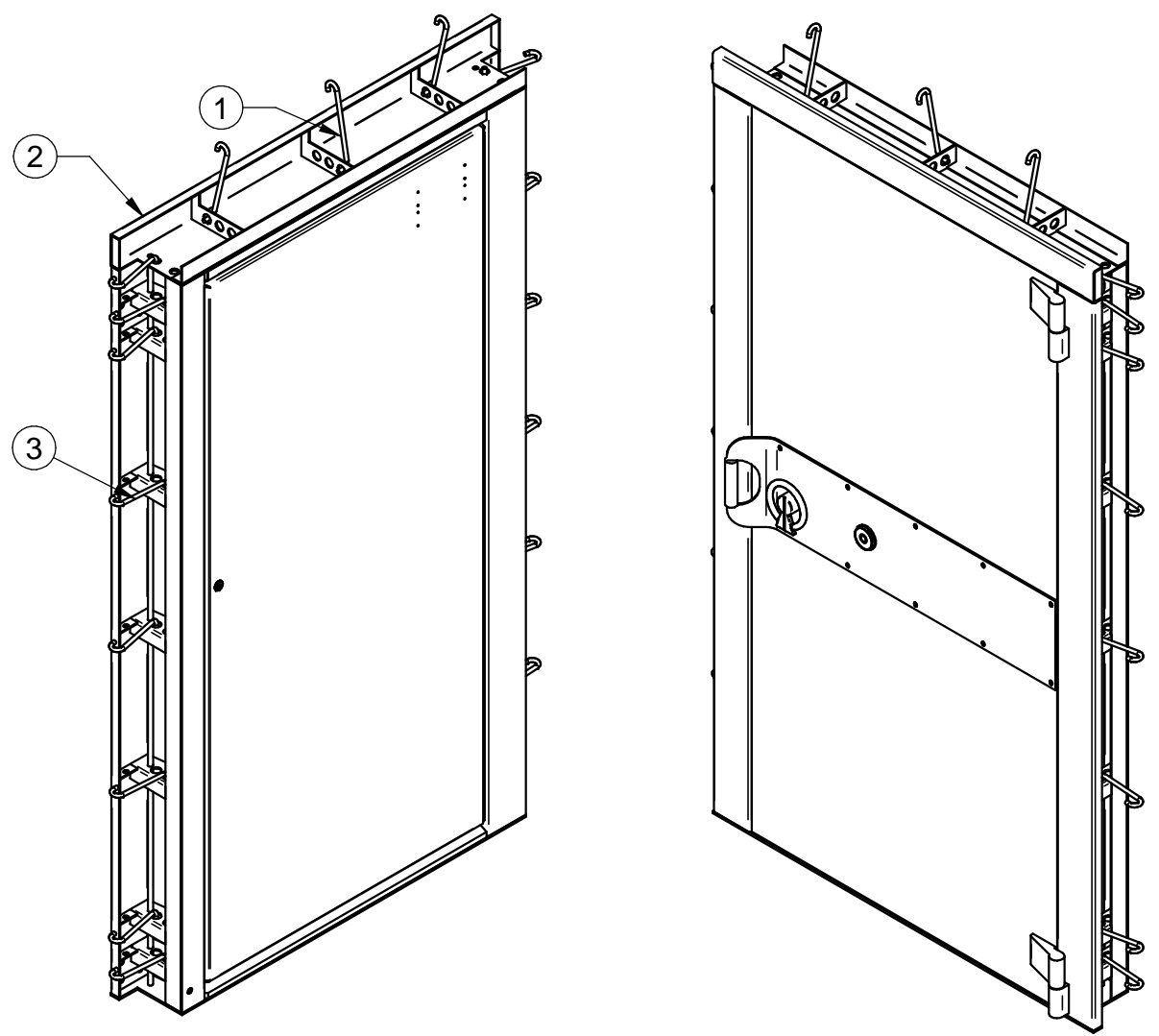
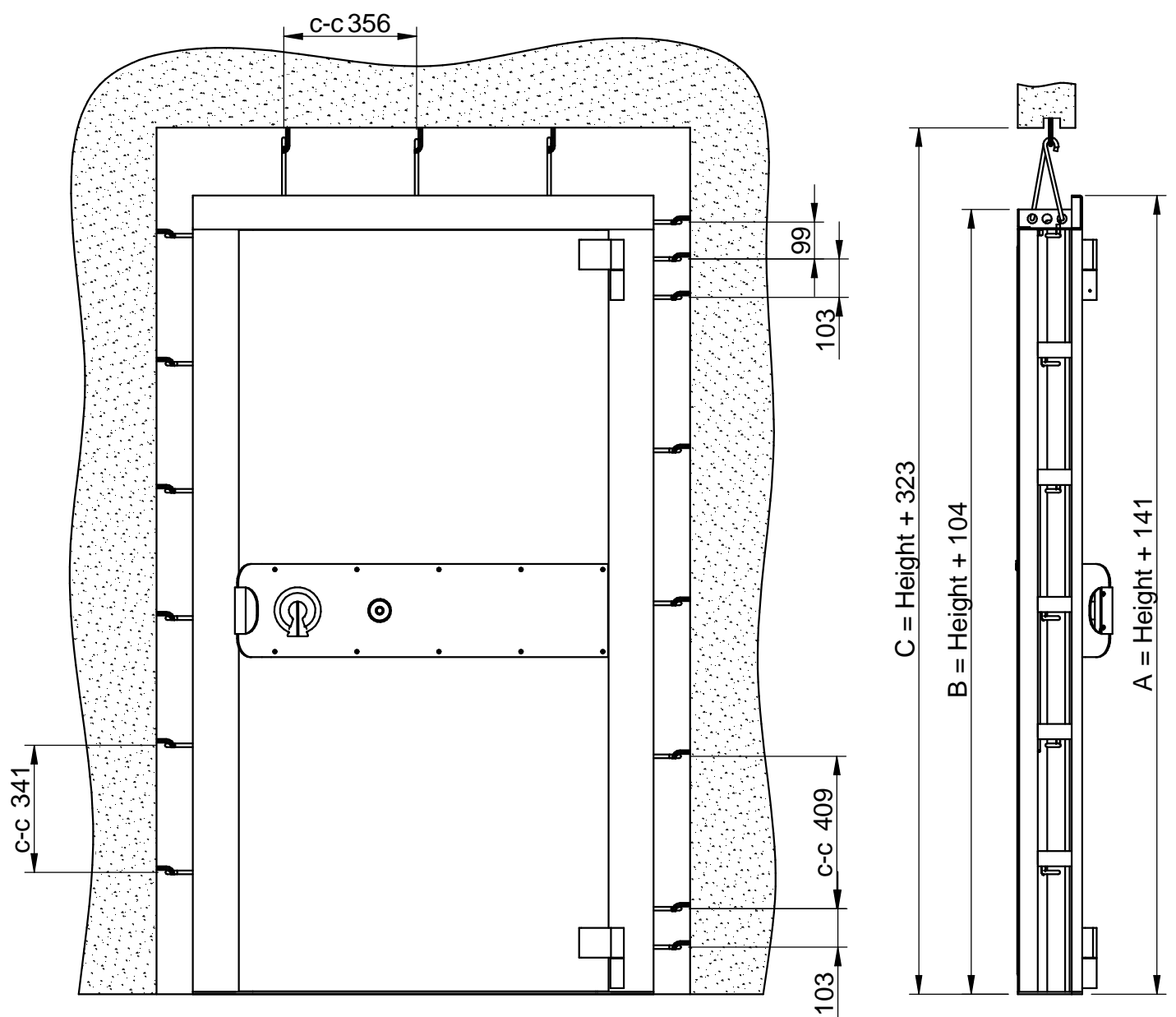


This document remains our property. Reproduction and any unauthorized use of the content without our written permission is forbidden. Violation will be prosecuted.



Ingjuten armering Ø12.
 Svetsas ihop med dörrens armering.
 Casted reinforce Ø12.
 weld together with reinforce from door.

	A	B	C	Clear width
Standard	2141	2104	2323	900

Pos.	Qty.	Title	Material	Draw.no.	Comments
1	3	Long clamp	S235JRG2	25-0323	
2	1	Door and frame		32-0730	
3	14	Short clamp	S235JRG2	25-0322	

Version	Note	Date	By
C	Updated with custom measures.	2011-01-13	LD
B	Updated with redrawn frame. Hooks instead of expansion bolts.	2009-10-08	LD

	General tolerances EN ISO 2768 - mK. EN ISO 13920 - BE.	Art.no. - Title sv. Frame for embedment Title eng.	Created 2009-04-07	Drawn UJ
		Subject	Replaces	Scale
		Project Vault door grade I-II	Drawing no. 32-0733	Revision C